



www.Source1Parts.com

# PS9 SERIES - UPFLOW 1-STAGE NATURAL GAS FURNACE - 90%

HVAC SERVICE PARTS

Supersedes: 035-20437-001 Rev. C (1004)

035-20437-001 Rev. D (1204)

1 of 8

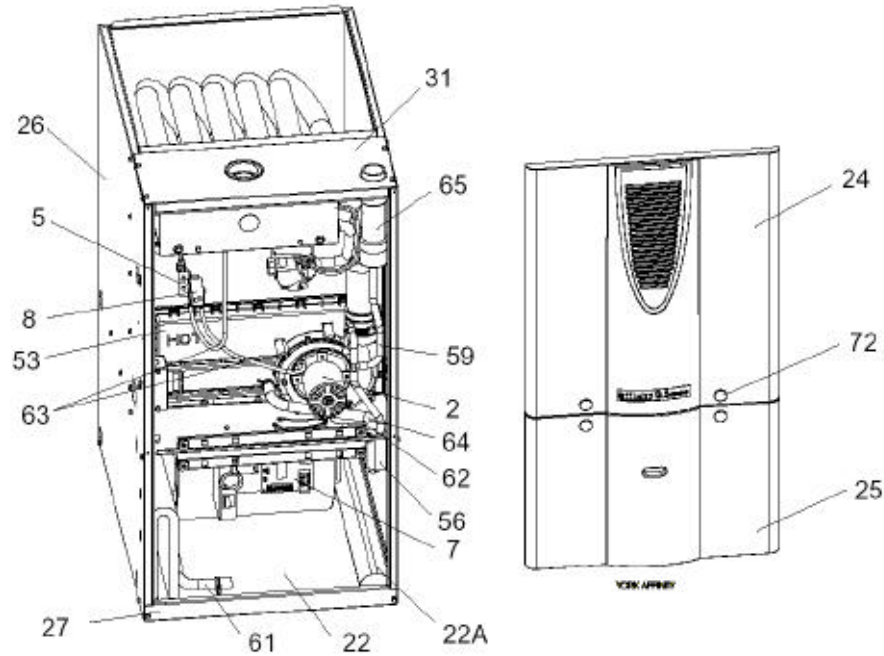


Figure 1: UPFLOW 1-STAGE NATURAL GAS FURNACES (90%)

FIG	ITEM	DESCRIPTION	PS9A12N040UP11A	PS9B12N060UP11A	PS9B12N080UP11A	PS9C16N080UP11A
			(2 BURNER)	(3 BURNER)	(4 BURNER)	(4 BURNER)
<b>MOTOR</b>						
2	1	MOTOR, DIRECT DRIVE BLOWER	024-32054-000	024-32054-000	024-32054-000	024-32055-000
1,2	2	MOTOR, INDUCER ASSY	024-34558-000	024-34558-000	024-34558-000	024-34558-000
<b>ELECTRICAL</b>						
2	3	CAPACITOR (7.5MFD/370V)	024-20045-000	024-20045-000	024-20045-000	---
		CAPACITOR (10 MFD/370V)	---	---	---	024-20046-000
2	4	SWITCH, LIMIT (INDUCER)	025-38737-000	025-38737-000	025-38737-000	025-38737-000
1,2	5	CONTROL, HIGH LIMIT	025-29041-005	025-29041-004	025-29041-012	025-29041-011
3	6	CONTROL, FLAME ROLL OUT	025-27792-001	025-27792-001	025-27792-001	025-27792-001
1,2	7	CONTROL, FURNACE	031-01973-000	031-01973-000	031-01973-000	031-01973-000
*	7A	FUSE	025-32746-026	025-32746-026	025-32746-026	025-32746-026
1,2	8	SWITCH, AIR PRESSURE	024-34620-000	024-27639-001	024-27638-001	024-27638-001
3	9	IGNITER	025-32625-000	025-32625-000	025-32625-000	025-32625-000
3	10	SENSOR, FLAME	025-37499-000	025-37499-000	025-37499-000	025-37499-000
2	11	SWITCH, DOOR	024-27640-000	024-27640-000	024-27640-000	024-27640-000
2	12	TRANSFORMER	025-30889-000	025-30889-000	025-30889-000	025-30889-000
3	13	VALVE, GAS	025-37426-000	025-37426-000	025-37426-000	025-37426-000
<b>AIR MOVING</b>						
2	14	HOUSING, BLOWER	373-19812-751	373-19812-751	373-19812-751	373-19816-751
2	15	WHEEL, BLOWER	026-19654-009	026-19654-009	026-19654-009	026-19654-014

NOTE: \*Not Shown

New replacement parts shown in **bold** face type at the first printing of parts list dated 12/04.

Major components and suggested stocking items are shown with shaded item number.

"<" Across from row indicates a change in that row.

--- Not applicable to specified model.

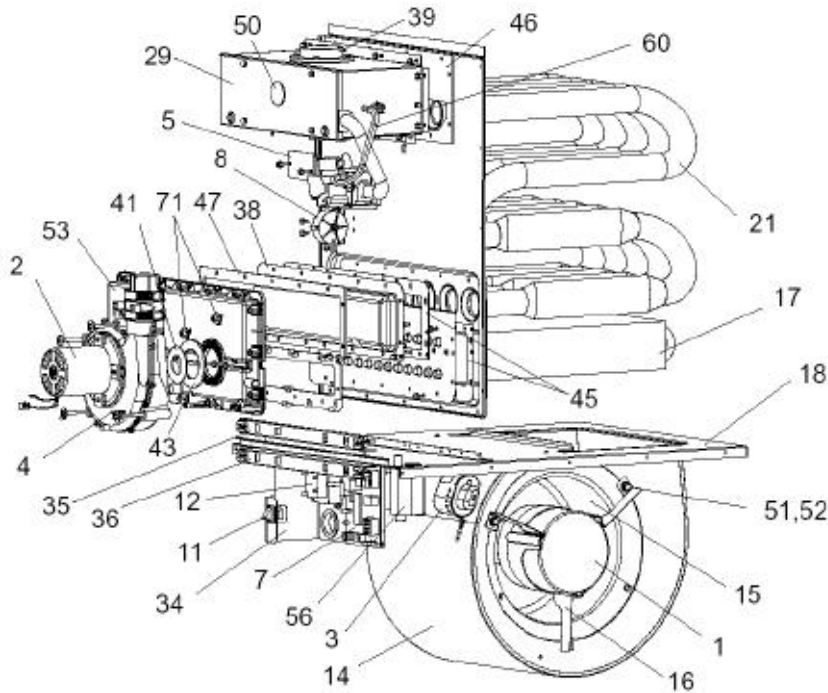


Figure 2: UPFLOW 1-STAGE NATURAL GAS FURNACES (90%)

FIG	ITEM	DESCRIPTION	PS9A12N040UP11A	PS9B12N060UP11A	PS9B12N080UP11A	PS9C16N080UP11A
			(2 BURNER)	(3 BURNER)	(4 BURNER)	(4 BURNER)
<b>FABRICATED PARTS</b>						
2	16	MOUNT, MOTOR	073-19831-001	073-19831-001	073-19831-001	073-19831-001
2	17	COIL, CONDENSING	373-19813-801	373-19812-801	373-19812-801	373-19816-801
2	18	SHELF, BLOWER	073-19813-215	073-19812-215	073-19812-215	073-19816-215
3	19	BURNER, GAS	029-20482-000	029-20482-000	029-20482-000	029-20482-000
*	20	BRACKET, BLOWER SHELF	073-19813-220	073-19812-220	073-19812-220	073-19816-220
2	21	HEAT EXCHANGER ASS'Y	373-19811-601	373-19812-601	373-19812-602	373-19816-601
1	22	PANEL, BLOCK-OFF	073-19813-090	073-19812-090	073-19812-090	073-19816-090
1	22A	BASE FRAME, SIDE (2 Req'd)	073-19811-085	073-19811-085	073-19811-085	073-19811-085
3	23	MANIFOLD, GAS	029-22253-020	029-22253-030	029-22253-040	029-22253-040
1	24	DOOR, VEST ACCESS	373-19814-405	373-19812-405	373-19812-405	373-19816-405
1	25	DOOR, BLOWER ACCESS	373-19814-415	373-19812-415	373-19812-415	373-19816-415
1	26	WRAPPER, INSULATED	373-19813-141	373-19812-141	373-19812-141	373-19816-141
1	27	CHANNEL, TOE PLATE	073-19862-051	073-19862-052	073-19862-052	073-19862-053
3	28	PLATE DIFFUSER	073-14566-001	073-14566-002	073-14566-003	073-14566-003
2,3	29	COVER, GAS CONTROL	373-22155-001	373-22155-002	373-22155-003	373-22155-003
3	30	BURNER BOX, BOTTOM PANEL	073-19811-120	073-19811-130	073-19811-140	073-19811-140
1	31	PANEL, TOP W/HOOK	073-19865-061	073-19865-063	073-19865-062	073-19865-071
3	32	SUPPORT, BURNER	073-19811-320	073-19811-330	073-19811-340	073-19811-340
3	33	WRAPPER, BURNER BOX	073-19813-020	073-19811-030	073-19811-040	073-19811-040
2	34	PANEL, ELECTRIC	073-19865-502	073-19865-502	073-19865-502	073-19865-502
2	35	BRACKET, TOP MOUNTING	073-19814-073	073-19814-073	073-19814-073	073-19816-073
2	36	BRACKET, BOTTOM MOUNTNG	073-19814-429	073-19814-429	073-19814-429	073-19816-429
3	37	BRACKET, IGNITER	073-17403-000	073-17403-000	073-17403-000	073-17403-000
2	38	PAN, SHIELD	073-19813-560	073-19812-560	073-19812-560	073-19816-560

NOTE: \*Not Shown

New replacement parts shown in **bold** face type at the first printing of parts list dated 12/04.

Major components and suggested stocking items are shown with shaded item number.

"<" Across from row indicates a change in that row.

--- Not applicable to specified model.



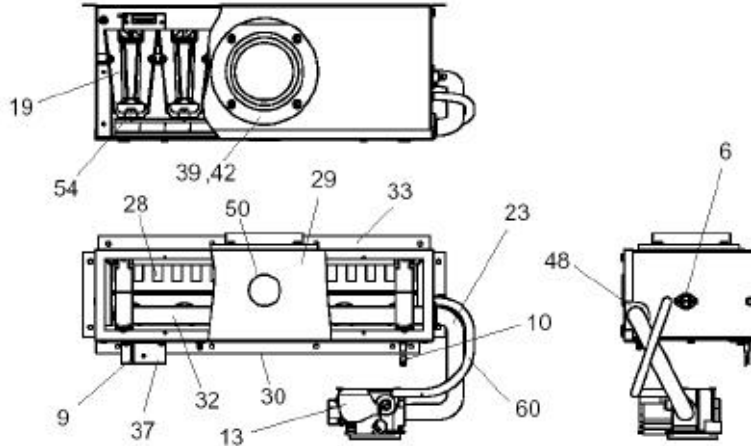


Figure 3: GAS CONTROLS - UPFLOW (90°)

FIG	ITEM	DESCRIPTION	PS9A12N040UP11A	PS9B12N060UP11A	PS9B12N080UP11A	PS9C16N080UP11A
			(2 BURNER)	(3 BURNER)	(4 BURNER)	(4 BURNER)
<b>MISCELLANEOUS</b>						
2,3	39	CONNECTOR, AIR INTAKE	028-11289-000	028-11289-000	028-11289-000	028-11289-000
*	40	FILTER, AIR (.75 X 16 X 25)	026-38508-000	026-38508-000	026-38508-000	026-38508-000
2	41	RESTRICTOR, COMBUSTION BLWR	028-15209-000	028-15163-000	---	028-15164-000
3	42	GASKET, AIR INTAKE CONNECTOR	028-12460-001	028-12460-001	028-12460-001	028-12460-001
2	43	GASKET, COMBUSTION BLOWER	028-14767-000	028-14767-000	028-14767-000	028-14767-000
*	44	GASKET, CONDENSATE PAN	028-14759-001	028-14759-002	028-14759-002	028-14759-003
2	45	GASKET, CONDENSING COIL (2 Req'd)	028-14760-001	028-14760-002	028-14760-002	028-14760-003
2	46	GASKET, GAS CONTROLS	028-14772-102	028-14772-103	028-14772-104	028-14772-104
2	47	GASKET, UPPER COND. PAN	028-15180-000	028-14773-000	028-14773-000	028-14774-000
3	48	GROMMET, MANIFOLD SEAL	028-12465-000	028-12465-000	028-12465-000	028-12465-000
*	49	GROMMET, 1/2"	025-30823-000	025-30823-000	025-30823-000	025-30823-000
2,3	50	PLUG, WINDOW, CLEAR - 1.5"	025-37005-000	025-37005-000	025-37005-000	025-37005-000
2	51	GROMMET, MOTOR MOUNT (3 Req'd)	028-14740-000	028-14740-000	028-14740-000	028-14740-000
2	52	FERRULE, MOTOR MOUNT (3 Req'd)	023-20541-000	023-20541-000	023-20541-000	023-20541-000
1,2	53	PAN, CONDENSATE	028-15179-000	028-14756-001	028-14756-001	028-14757-001
3	54	ORIFICE, BURNER (Natural #45)	029-21182-045	029-21182-045	029-21182-045	029-21182-045
*	55	RACK, FILTER	026-38509-000	026-38509-000	026-38509-000	026-38509-000
1,2	56	TRAP, CONDENSATE	028-14762-000	028-14762-000	028-14762-000	028-14762-000
*	57	WIRING DIAGRAM	035-20379-001	035-20379-001	035-20379-001	035-20379-001
*	58	HARNESS, MAIN WIRING	373-19811-531	373-19811-531	373-19811-531	373-19811-531
1	59	TUBE, DRAIN ASSY	028-15192-000	028-15192-000	028-15192-000	028-15192-000
2,3	60	TUBE, PRE-FORMED	028-15170-000	028-15170-000	028-15170-000	028-15170-000
1	61	TUBE, DRAIN, CONDENSATE TRAP	028-13309-004	028-13309-004	028-13309-004	028-13309-004
1	62	TUBE, DRAIN COMBUSTION BLWR	028-14764-000	028-14764-000	028-14764-000	028-14764-000
1	63	TUBE, SILICON RUBBER (2 Ft. Req'd)	028-12499-000	028-12499-000	028-12499-000	028-12499-000
1	64	TUBE, DRAIN CONDENSATE PAN	028-14763-000	028-14763-000	028-14763-000	028-14763-000
1	65	PIPE VENT ASSEMBLY	028-15191-000	028-15191-000	028-15191-000	028-15191-000
*	66	RETAINER, SQUARE	028-15190-000	028-15190-000	028-15190-000	028-15190-000
*	67	BUSHING	025-31807-000	025-31807-000	025-31807-000	025-31807-000
*	68	INSERT, ADAPTER	025-31808-000	025-31808-000	025-31808-000	025-31808-000
*	69	LOCKNUT, 1/2"	025-32683-000	025-32683-000	025-32683-000	025-32683-000
*	70	REDUCER, 2" TO 1-1/2"	028-14769-000	028-14769-000	028-14769-000	028-14769-000
2	71	WASHER, FLAT FIBERGLASS (2 Req'd)	028-14768-000	028-14768-000	028-14768-000	028-14768-000
1	72	DOOR KNOB-BLACK (4 Req'd)	026-39490-000	026-39490-000	026-39490-000	026-39490-000
*	73	RETAINER, DOOR KNOB (4 Req'd)	021-31394-000	021-31394-000	021-31394-000	021-31394-000
*	74	NUT, SELF-THREADING (10 Req'd)	021-31395-000	021-31395-000	021-31395-000	021-31395-000
*	75	SIGHT GLASS, OVAL	025-38899-000	025-38899-000	025-38899-000	025-38899-000

NOTE: \*Not Shown

New replacement parts shown in **bold** face type at the first printing of parts list dated 12/04.

Major components and suggested stocking items are shown with shaded item number.

"<" Across from row indicates a change in that row.

--- Not applicable to specified model.



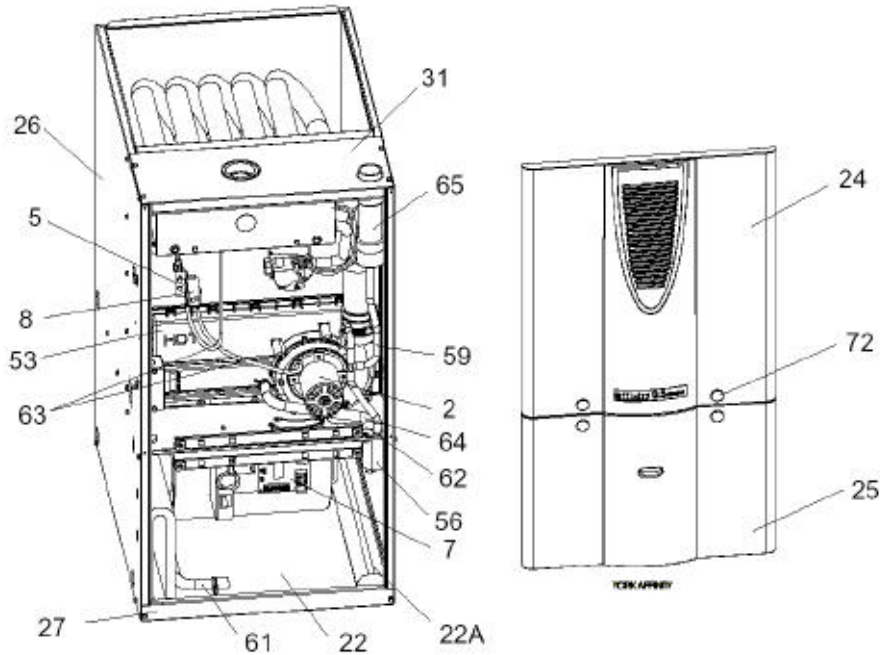


Figure 1: UPFLOW 1-STAGE NATURAL GAS FURNACES (90%)

FIG	ITEM	DESCRIPTION	PS9C20N080UP11A	PS9C16N100UP11A	PS9C20N100UP11A
			(4 BURNER)	(5 BURNER)	(5 BURNER)
<b>MOTOR</b>					
2	1	MOTOR, DIRECT DRIVE BLOWER	024-32056-000	024-32055-000	024-32056-000
1,2	2	MOTOR, INDUCER ASS'Y	024-34558-000	024-34558-000	024-34558-000
<b>ELECTRICAL</b>					
2	3	CAPACITOR (10MFD/370V)		024-20046-000	---
		CAPACITOR (15MFD/370V)	024-25900-000	---	024-25900-000
2	4	SWITCH LIMIT, (Inducer)	025-38737-000	025-38737-000	025-38737-000
1,2	5	CONTROL, HIGH LIMIT	025-29041-005	025-29041-011	025-29041-004
3	6	CONTROL, FLAME ROLL OUT	025-27792-001	025-27792-001	025-27792-001
1,2	7	CONTROL, FURNACE	031-01973-000	031-01973-000	031-01973-000
*	7A	FUSE	025-32746-026	025-32746-026	025-32746-026
2	8	SWITCH, AIR PRESSURE	024-27638-001	024-27638-001	024-27638-001
1,2	9	IGNITER	025-32625-000	025-32625-000	025-32625-000
3	10	SENSOR, FLAME	025-37499-000	025-37499-000	025-37499-000
2	11	SWITCH, DOOR	024-27640-000	024-27640-000	024-27640-000
2	12	TRANSFORMER	025-30889-000	025-30889-000	025-30889-000
3	13	VALVE, GAS	025-37426-000	025-37426-000	025-37426-000
<b>AIR MOVING</b>					
2	14	HOUSING, BLOWER	373-19820-751	373-19816-751	373-19820-751
2	15	WHEEL, BLOWER	026-38510-000	026-19654-014	026-38510-000

NOTE: \*Not Shown

New replacement parts shown in **bold** face type at the first printing of parts list code dated 12/04.

Major components and suggested stockings items are shown with shaded item number.

"<" Across from row indicates a change in that row.

--- Not applicable to specified model.

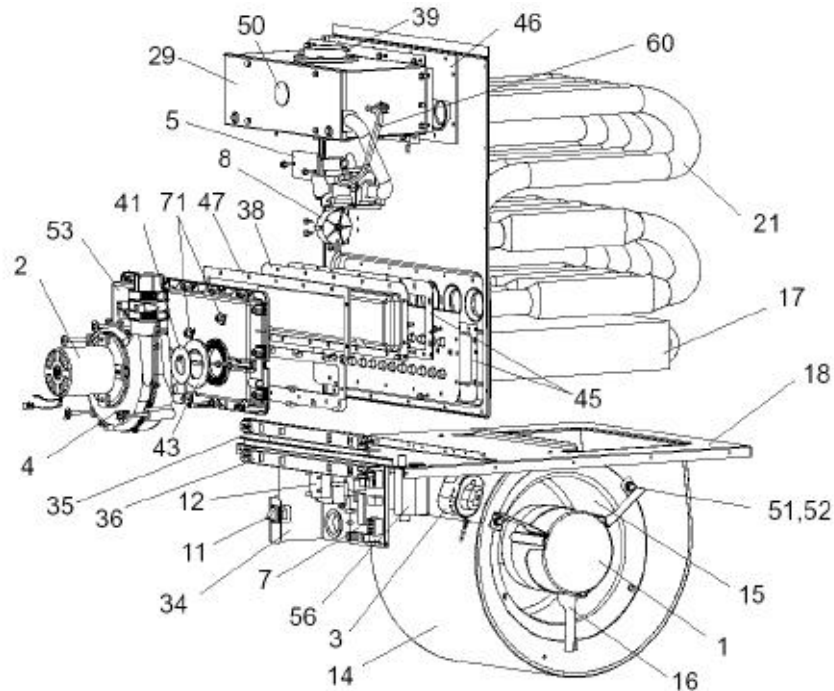


Figure 2: UPFLOW 1-STAGE NATURAL GAS FURNACES (90%)

FIG	ITEM	DESCRIPTION	PS9C20N080UP11A	PS9C16N100UP11A	PS9C20N100UP11A
			(4 BURNER)	(5 BURNER)	(5 BURNER)
<b>FABRICATED PARTS</b>					
2	16	MOUNT, MOTOR	073-19831-001	073-19831-001	073-19831-001
2	17	COIL, CONDENSING	373-19816-801	373-19816-801	373-19816-801
2	18	SHELF, BLOWER	073-19816-216	073-19816-216	073-19816-216
3	19	BURNER, GAS	029-20482-000	029-20482-000	029-20482-000
*	20	BRACKET, BLOWER SHELF	073-19816-220	073-19816-220	073-19816-220
2	21	HEAT EXCHANGER ASS'Y	373-19816-601	373-19816-602	373-19816-602
1	22	PANEL, BLOCK-OFF	073-19816-090	073-19816-090	073-19816-090
1	22A	BASE FRAME, SIDE (2 Req'd)	073-19811-085	073-19811-085	073-19811-085
3	23	MANIFOLD, GAS	029-22253-040	029-22253-050	029-22253-050
1	24	DOOR, VEST ACCESS	373-19816-405	373-19816-405	373-19816-405
1	25	DOOR, BLOWER ACCESS	373-19816-415	373-19816-415	373-19816-415
1	26	WRAPPER, INSULATED	373-19816-141	373-19816-141	373-19816-141
1	27	CHANNEL, TOE PLATE	073-19862-053	073-19862-053	073-19862-053
3	28	PLATE DIFFUSER	073-14566-003	073-14566-004	073-14566-004
2,3	29	COVER, GAS CONTROL	373-22155-003	373-22155-004	373-22155-004
3	30	BURNER BOX, BOTTOM PANEL	073-19811-140	073-19811-150	073-19811-150
1	31	PANEL, TOP W/HOOK	073-19865-071	073-19865-064	073-19865-064
3	32	SUPPORT, BURNER	073-19811-340	073-19811-350	073-19811-350
3	33	WRAPPER, BURNER BOX	073-19811-040	073-19811-050	073-19811-050
2	34	PANEL, ELECTRIC	073-19865-502	073-19865-502	073-19865-502
2	35	BRACKET, TOP MOUNTING	073-19816-073	073-19816-073	073-19816-073
2	36	BRACKET, BOTTOM MOUNTNG	073-19816-429	073-19816-429	073-19816-429
3	37	BRACKET, IGNITER	073-17403-000	073-17403-000	073-17403-000
2	38	PAN, SHIELD	073-19816-560	073-19816-560	073-19816-560

NOTE: \*Not Shown

New replacement parts shown in **bold** face type at the first printing of parts list dated 12/04.

Major components and suggested stocking items are shown with shaded item number.

"<" Across from row indicates a change in that row.

--- Not applicable to specified model.

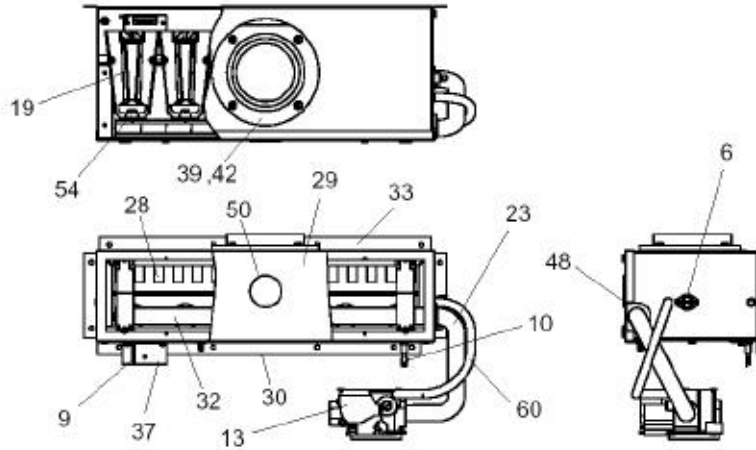


Figure 3: GAS CONTROLS - UPFLOW (90%)

FIG	ITEM	DESCRIPTION	PS9C20N080UP11A	PS9C16N100UP11A	PS9C20N100UP11A
			(4 BURNER)	(5 BURNER)	(5 BURNER)
<b>MISCELLANEOUS</b>					
2,3	39	CONNECTOR, AIR INTAKE	028-11289-000	028-11289-000	028-11289-000
*	40	FILTER, AIR (.75 X 16 X .25)	026-38508-000	026-38508-000	026-38508-000
2	41	RESTRICTOR, COMBUSTION BLWR	028-15164-000	---	---
3	42	GASKET, AIR INTAKE CONNECTOR	028-12460-001	028-12460-001	028-12460-001
2	43	GASKET, COMBUSTION BLOWER	028-14767-000	028-14767-000	028-14767-000
*	44	GASKET, CONDENSATE PAN	028-14759-003	028-14759-003	028-14759-003
2	45	GASKET, CONDENSING COIL (2 Req'd)	028-14760-003	028-14760-003	028-14760-003
2	46	GASKET, GAS CONTROLS	028-14772-104	028-14772-105	028-14772-105
2	47	GASKET, UPPER COND. PAN	028-14774-000	028-14774-000	028-14774-000
3	48	GROMMET, MANIFOLD SEAL	028-12465-000	028-12465-000	028-12465-000
*	49	GROMMET, 1/2"	025-30823-000	025-30823-000	025-30823-000
2,3	50	PLUG, WINDOW, CLEAR - 1.5"	025-37005-000	025-37005-000	025-37005-000
2	51	GROMMET, MOTOR MOUNT (3 Req'd)	028-14740-000	028-14740-000	028-14740-000
2	52	FERRULE, MOTOR MOUNT (3 Req'd)	023-20541-000	023-20541-000	023-20541-000
1,2	53	PAN, CONDENSATE	028-14757-001	028-14757-001	028-14757-001
3	54	ORIFICE, BURNER (Natural #45)	029-21182-045	029-21182-045	029-21182-045
*	55	RACK, FILTER	026-38509-000	026-38509-000	026-38509-000
1,2	56	TRAP, CONDENSATE	028-14762-000	028-14762-000	028-14762-000
*	57	WIRING DIAGRAM	035-20379-001	035-20379-001	035-20379-001
*	58	HARNESS, MAIN WIRING	373-19811-531	373-19811-531	373-19811-531
1	59	TUBE, DRAIN ASSY	028-15192-000	028-15192-000	028-15192-000
2,3	60	TUBE, PRE-FORMED	028-15170-000	028-15170-000	028-15170-000
1	61	TUBE, DRAIN, CONDENSATE TRAP	028-13309-004	028-13309-004	028-13309-004
1	62	TUBE, DRAIN COMBUSTION BLWR	028-14764-000	028-14764-000	028-14764-000
1	63	TUBE, SILICON RUBBER (2 Ft. Req'd)	028-12499-000	028-12499-000	028-12499-000
1	64	TUBE, DRAIN CONDENSATE PAN	028-14763-000	028-14763-000	028-14763-000
1	65	PIPE VENT ASSEMBLY	028-15191-000	028-15191-000	028-15191-000
*	66	RETAINER, SQUARE	028-15190-000	028-15190-000	028-15190-000
*	67	BUSHING	025-31807-000	025-31807-000	025-31807-000
*	68	INSERT, ADAPTER	025-31808-000	025-31808-000	025-31808-000
*	69	LOCKNUT, 1/2"	025-32683-000	025-32683-000	025-32683-000
*	70	REDUCER, 2" TO 1-1/2"	028-14769-000	028-14769-000	028-14769-000
2	71	WASHER, FLAT FIBERGLASS (2 Req'd)	028-14768-000	028-14768-000	028-14768-000
1	72	DOOR KNOB-BLACK (4 Req'd)	026-39490-000	026-39490-000	026-39490-000
*	73	RETAINER, DOOR KNOB (4 Req'd)	021-31394-000	021-31394-000	021-31394-000
*	74	NUT, SELF-THREADING (10 Req'd)	021-31395-000	021-31395-000	021-31395-000
*	75	SIGHT GLASS, OVAL	025-38899-000	025-38899-000	025-38899-000

NOTE: \*Not Shown

New replacement parts shown in **bold** face type at the first printing of parts list dated 12/04.

Major components and suggested stocking items are shown with shaded item number.

"<" Across from row indicates a change in that row.

--- Not applicable to specified model.



FIG	ITEM	DESCRIPTION	PS9D20N120UP11A	PS9D20N135UP11A
			(6 BURNER)	(6 BURNER)
<b>MOTOR</b>				
2	1	MOTOR, DIRECT DRIVE BLOWER	024-32056-000	024-32056-000
1,2	2	MOTOR, VENTOR ASS'Y	024-34558-000	024-34558-000
<b>ELECTRICAL</b>				
1	3	CAPACITOR (15MFD/370V)	024-25900-000	024-25900-000
1	4	SWITCH, LIMIT (Inducer)	025-38737-000	025-38737-000
1	5	CONTROL, HIGH LIMIT	025-29041-011	025-29041-012
1,3	6	CONTROL, FLAME ROLL OUT	025-27792-001	025-27792-001
1,2	7	CONTROL, FURNACE	031-01973-000	031-01973-000
*	7A	FUSE	025-32746-026	025-32746-026
3	8	SWITCH, AIR PRESSURE	024-27639-001	<b>024-34647-000</b>
1,2	9	IGNITER	025-32625-000	025-32625-000
3	10	SENSOR, FLAME	025-37499-000	025-37499-000
2	11	SWITCH, DOOR	024-27640-000	024-27640-000
2	12	TRANSFORMER	025-30889-000	025-30889-000
3	13	VALVE, GAS	025-37426-000	025-37426-000
<b>AIR MOVING</b>				
1	14	HOUSING, BLOWER	373-19820-751	373-19820-751
1	15	WHEEL, BLOWER	026-38510-000	026-38510-000
<b>FABRICATED PARTS</b>				
2	16	MOUNT, MOTOR	073-19831-001	073-19831-001
2	17	COIL, CONDENSING	373-19820-801	373-19820-801
2	18	SHELF, BLOWER	073-19820-215	073-19820-215
3	19	BURNER, GAS	029-20482-000	029-20482-000
*	20	BRACKET, BLOWER SHELF	073-19820-220	073-19820-220
2	21	HEAT EXCHANGER ASS'Y	373-19820-601	<b>373-19820-602</b>
1	22	PANEL, BLOCK-OFF	073-19820-090	073-19820-090
1	22A	BASE FRAME, SIDE (2 Req'd)	073-19811-085	073-19811-085
3	23	MANIFOLD, GAS	029-22253-060	029-22253-060
1	24	DOOR, VEST ACCESS	373-19820-405	373-19820-405
1	25	DOOR, BLOWER ACCESS	373-19820-415	373-19820-415
1	26	WRAPPER, INSULATED	373-19820-141	373-19820-141
1	27	CHANNEL, TOE PLATE	073-19862-054	073-19862-054
3	28	PLATE DIFFUSER	073-14566-005	073-14566-005
2,3	29	COVER, GAS CONTROL	373-22155-005	373-22155-005
3	30	BURNER BOX, BOTTOM PANEL	073-19811-160	073-19811-160
1	31	PANEL, TOP W/HOOK	073-19865-072	<b>073-19865-086</b>
3	32	SUPPORT, BURNER	073-19811-360	073-19811-360
3	33	WRAPPER, BURNER BOX	073-19811-060	073-19811-060
2	34	PANEL, ELECTRIC	073-19865-502	073-19865-502
2	35	BRACKET, TOP MOUNTING	073-19820-073	073-19820-073
2	36	BRACKET, BOTTOM MOUNTNG	073-19820-429	073-19820-429
3	37	BRACKET, IGNITER	073-17403-000	073-17403-000
2	38	PAN, SHIELD	073-19820-560	073-19820-560
<b>MISCELLANEOUS</b>				
2,3	39	CONNECTOR, AIR INTAKE	028-11290-000	028-11290-000
*	40	FILTER, AIR (.75 X 16 X 25)	026-38508-000	026-38508-000
2	41	RESTRICTOR, COMBUSTION BLWR	---	---
3	42	GASKET, AIR INTAKE CONNECTOR	028-12460-002	028-12460-002
2	43	GASKET, COMBUSTION BLOWER	028-14767-000	028-14767-000
*	44	GASKET, CONDENSATE PAN	028-14759-004	028-14759-004
2	45	GASKET, CONDENSING COIL (2 Req'd)	028-14760-004	028-14760-004
2	46	GASKET, GAS CONTROLS	028-14772-106	028-14772-106
2	47	GASKET, UPPER COND. PAN	028-14775-000	028-14775-000
3	48	GROMMET, MANIFOLD SEAL	028-12465-000	028-12465-000
*	49	GROMMET, 1/2"	025-30823-000	025-30823-000
2,3	50	PLUG, WINDOW, CLEAR - 1.5"	025-37005-000	025-37005-000
2	51	GROMMET, MOTOR MOUNT (3 Req'd)	028-14740-000	028-14740-000
2	52	FERRULE, MOTOR MOUNT (3 Req'd)	023-20541-000	023-20541-000
1,2	53	PAN, CONDENSATE	028-14758-002	028-14758-001
3	54	ORIFICE, BURNER (Natural #45)	029-21182-045	029-21182-045
*	55	RACK, FILTER	026-38509-000	026-38509-000
1,2	56	TRAP, CONDENSATE	028-14762-000	028-14762-000
*	57	WIRING DIAGRAM	035-20379-001	035-20379-001
*	58	HARNESS, MAIN WIRING	373-19811-531	373-19811-531
1	59	TUBE, DRAIN ASSY	028-15192-000	<b>028-15214-000</b>
2,3	60	TUBE, PRE-FORMED	028-15170-000	028-15170-000
1	61	TUBE, DRAIN, CONDENSATE TRAP	028-13309-004	028-13309-004
1	62	TUBE, DRAIN COMBUSTION BLWR	028-14764-000	028-14764-000

FIG	ITEM	DESCRIPTION	PS9D20N120UP11A	PS9D20N135UP11A
			(6 BURNER)	(6 BURNER)
1	63	TUBE, SILICON RUBBER (2 Ft. Req'd)	028-12499-000	028-12499-000
1	64	TUBE, DRAIN CONDENSATE PAN	028-14763-000	028-14763-000
1	65	PIPE VENT ASSEMBLY	028-15191-000	<b>028-15213-000</b>
*	66	RETAINER, SQUARE	028-15190-000	028-15190-000
*	67	BUSHING	025-31807-000	025-31807-000
*	68	INSERT, ADAPTER	025-31808-000	025-31808-000
*	69	LOCKNUT, 1/2"	025-32683-000	025-32683-000
*	70	REDUCER, 3" TO 1-1/2"	028-14771-000	---
		REDUCER, 3" TO 2"	---	<b>028-15215-000</b>
2	71	WASHER, FLAT FIBERGLASS (2 Req'd)	028-14768-000	028-14768-000
1	72	DOOR KNOB-BLACK (4 Req'd)	026-39490-000	026-39490-000
*	73	RETAINER, DOOR KNOB (4 Req'd)	021-31394-000	021-31394-000
*	74	NUT, SELF-THREADING (10 Req'd)	021-31395-000	021-31395-000
*	75	SIGHT GLASS, OVAL	025-38899-000	025-38899-000

NOTE: \*Not Shown

New replacement parts shown in **bold** face type at the first printing of parts list dated 12/04.

Major components and suggested stocking items are shown with shaded item number.

\*&lt; Across from row indicates a change in that row.

--- Not applicable to specified model.

FIELD INSTALLED ACCESSORIES - NON-ELECTRICAL		
MODEL NO.	DESCRIPTION	USED WITH
1NP0347	PROPANE (LP) CONVERSION KIT	ALL MODELS EXCEPT 135 MBH
1NP0349		135 MBH
1SR0302	EXTERNAL SIDE FILTER RACK (6 PACK)	ALL MODELS
1CT0302	CONCENTRIC INTAKE/VENT 2"	40, 60, 80, 100 INPUT MBH
1CT0303	CONCENTRIC INTAKE/VENT 3"	100, 120, 135 MBH
1PS0322	HIGH ALTITUDE PRESSURE SWITCH KIT (Does Not Include Orifices)	FOR APPLICATION INFORMATION SEE FORM 035-14447-001
1PS0306		
1PS0307		
1PS0308		
1PS0309		
1BR0314	EXTERNAL BOTTOM FILTER RACK	17-1/2" CABINETS
1BR0317		17-1/2" CABINETS
1BR0321		21" CABINETS
1BR0324		24-1/2" CABINETS
1NK0301	CONDENSATE NEUTRALIZER KIT	ALL MODELS
1TH0901	SIDEWALL VENT TERMINATION KIT	ALL MODELS

FIELD INSTALLED ACCESSORIES - ELECTRICAL		
MODEL NO.	DESCRIPTION	USED WITH
2TH07700124	THERMOSTAT- One-stage heat/cool. Manual changeover, integral subbase. System Switch: Cool-Off-Heat. Fan Switch: Auto-On.	ALL MODELS
2TH13700424	THERMOSTAT- One-stage heat. Deluxe 24V with heat only subbase, does not include fan switch. NOTE: For one-stage cool or one-stage heat/cool, must be used with subbase 2TB17700424.	ALL MODELS
2TB17700424	SUBBASE (24V) - One-stage heat/cool. Manual changeover, integral subbase. System Switch: Cool-Off-Heat. Fan Switch: Auto-On.	ALL MODELS
2ET07700224	THERMOSTAT- One-stage heat/cool. Programmable changeover, with subbase. System Switch: Cool-Off-Heat. Fan Switch: Auto-On.	ALL MODELS
2TC03700124	TWINNING CONTROL	ALL MODELS
6TT03700124	TALKING THERMOSTAT. 1 Heat/1 Cool	ALL MODELS

**TO ORDER AUTHORIZED FACTORY REPLACEMENT PARTS** - Contact your Source1 HVAC Parts Distributor or visit our website at [www.Source1Parts.com](http://www.Source1Parts.com) for a Distributor and Dealer listing.

Subject to change without notice. Printed in U.S.A.

Copyright © by York International Corp. 2004. All rights reserved.

035-20437-001 Rev. D (1204)

Supersedes: 035-20437-001 Rev. C (1004)

**Unitary  
Products  
Group**

**5005  
York  
Drive**

**Norman  
OK  
73069**