



# UPDATE

H e a t i n g F u e l s E d i t i o n

## Ford first to receive new TSSA Fuels Safety designation

The Ford of Canada Windsor Powerhouse has become the first industrial facility in the province to receive a new fuels safety designation from TSSA.

TSSA and Ford of Canada staff celebrated the achievement at a special ceremony at the Windsor Powerhouse on December 10, 2001. Bill Wilkinson, TSSA Vice President, Operations, presented Ford with a plaque and banner to mark the TSSA "Quality Assessed" designation after completing an innovative and demanding new review program designed to proactively address work-place safety.



*TSSA and Ford staff unfurl the "Quality Assessed Facility" banner at the Windsor Powerhouse ceremony.*

The designation acknowledges that the Powerhouse, which produces up to 30 megawatts of electricity each day for Ford's adjacent engine casting and manufacturing

plants, has achieved a high safety standard in its storage, use and handling of fuel. TSSA's Fuels Safety Program worked with Ford of Canada during the pilot phase of the program to assist in its development.

Unlike traditional review programs where regulators conduct investigations following a complaint or incident of alleged non-compliance, "Quality Assessed" facilities take preventive steps to help companies reduce risk of loss, both human and economic.

"TSSA wanted to pilot the  
*Continued on page 2*

### The Gaseous Fuels Information Package

#### SPECIAL OFFER

TSSA's client survey indicates that you want us to effectively provide you with regulatory information. Your feedback in this area is one of the reasons why we publish this newsletter. We recently conducted a test of our e-mail registration service to determine whether our clients were interested in purchasing their Codes via the Internet. The response was overwhelmingly positive. As a result, we are offering our newsletter readers the same opportunity. For details and ordering, please see the insert inside.

## TSSA Update – A Better Way of Communicating to Our Clients



*Margaret Kelch, President & CEO TSSA*

"TSSA Update" is a newsletter aimed at providing each of you with information that is of interest to your industry. The success of Fuels Safety Communicates – the newsletter which many of you have received over the past few years – served as the

impetus for this revamped newsletter and similar approaches in the other areas TSSA regulates.

We went directly to a cross-section of our many clients for input regarding content and a new look and name for the publication. The result was a

unanimous call for specific information, such as new technical requirements, safety

advisories, TSSA business activities, that directly impact their respective industries.

The result is the new TSSA Update which will consist of a corporate version for our general readership, two Fuels Safety editions – one for our Heating Fuels clients and another

for the Transportation Fuels sector – and several other  
*Continued on page 2*

*"Welcome to the first issue of TSSA Update for our Heating Fuels clients."*

### MARCH 2002 IN THIS ISSUE TSSA UPDATE

Fuel Regulation Corner .....	3
TSSA Working Tips ....	4
Industry News.....	5
Training Update.....	6
TSSA Report .....	8

program with an organization that believes in being proactive in safety and would help to fine tune and confirm the value of the program. We also knew that the value of the program would be established, without doubt, if Ford were to convey an interest in adopting the process at other facilities," said Wilkinson.

Wilkinson told the many Ford employees in attendance that the event marks "a safety first for Ford and TSSA. "I am pleased to report that Ford made the necessary modifications to comply with the appropriate legislation, standards and codes that govern fuels safety in Ontario. The Powerhouse will be audited by TSSA on a yearly basis to ensure this high quality of safety is maintained."

TSSA was also represented at the presentation by Sandra Cooke, TSSA's Manager, New Business who, along with TSSA Quality Assessor David

Aird, worked with Ford during the quality assessment process.

"As a risk-based, prevention-oriented organization, TSSA has the freedom to explore and implement ways of improving public and worker safety in a manner quite different from the traditional regulatory approach where a facility would be visited if a complaint was issued or an incident had occurred," she said. "Our presence would be as an enforcement body... investigate the incident. However, none of these actions prevented personal injuries or the death of a worker or a member of the public".

Cooke added: "The Quality Assessment Program is a preventative program. It allows TSSA to use its expertise and form safety partnerships with companies like Ford to reduce the risk of loss – both in human and

economic terms and achieve mutual goals of ensuring a safe operation".

The certification presentation also featured remarks by

*"The Quality Assessment Program is a preventative program. It allows TSSA to use its expertise and form safety partnerships with companies like the Ford to reduce the risk of loss – both in human and economic terms and achieve mutual goals of ensuring a safe operation".*

plant personnel including Mike de Irala, Site Manager, Ford Windsor Operations.

"The well-being of our employees has always been paramount for Ford and the "Quality Assessed" designation ensures that our employees and the surrounding community continue to be provided

with the most stringent measures to prevent industrial incidents," said Mr. de Irala, "we are pleased to have been able to use our experience in workplace safety and work with TSSA to help set the standard for measuring safety levels at industrial facilities."

In his closing remarks, Wilkinson added: "The Ford Windsor Powerhouse is the first TSSA Quality Assessed facility and as such will continue to provide Ford employees the highest level of safety. We will be employing this new safety program across a variety of industrial facilities and are confident it will help prevent workplace incidents,"

For more information about this innovative new program, please visit our Web site at [www.tssa.org](http://www.tssa.org) or contact Sandra Cooke, Fuels Safety program New Business Manager at (416) 325-0211 or e-mail: [scooke@tssa.org](mailto:scooke@tssa.org). ■

TSSA UPDATE... *continued from cover*

industry specific editions – covering amusement devices, elevating devices, boilers and pressure vessels, operating engineers and upholstered and stuffed articles.

These individual newsletters will feature information targeting each industry sector combined with general TSSA news of interest to all readers. The publications will be produced in an easy to read format and will be posted to TSSA's Web site for online viewing and downloading.

The creation of this newsletter is just one example of our ongoing efforts to continually improve our services to you as we shift from a strictly regulatory role to a more proactive, risk based,

prevention-oriented, client-centred consultative safety organization.

In September 2001, we consolidated our three operational areas and made refinements to their support services organization to improve our client services. This new structure builds and reinforces synergies across service areas while establishing clearer accountabilities. We are now in a position to improve our service to clients.

Our communications philosophy is simple. Know your client. It's not about telling them what you think they want to hear. It's about determining your client's needs and how they can best be met.

We are committed to

understanding your needs and communicating this understanding in a way that is meaningful to you. For example:

- You have asked us for better technical training and information. For that reason, we will supply an updated listing of trainers for the mandatory upgrade training with each edition of this newsletter and for as long as needed.
- The Fuels Safety program is continually seeking to provide services more effectively and efficiently. To that end, we recently made the following system improvement: our Web site has been improved to allow you to pose a question to us and have it automatically routed to the appro-

- We recently tested our capabilities to provide services electronically by offering special pricing on Codes to clients who have registered for information on our Web site. The response was overwhelmingly positive. We are repeating the offer in this publication so that we can assess your interest in a similar service.

As our capabilities improve, we will continue to add services to our Web site and this publication. We rely on your feedback to tell us if we are moving in the correct direction. Please e-mail, fax or mail your comments to any of the personnel on the contact list on page 8 of this newsletter. ■

# Fuel Regulation Corner

## Gas Technician 3

The *Gaseous Fuels Certification Regulation* (O. Reg. 215/01) has changed to reflect industry technology. Modifications to the Gas Technician 3 (G3) certification have led to some confusion. The following is intended to clarify a number of the provisions now applicable to the G3 certificate:

- A G3 designation is now issued on a 'permanent basis' rather than for only three years only. The regulation allows work to be done by the G3 under *general* or *direct* supervision where the G3 holder has documented competency by a supervising certificate holder.
- The G3 certificate allows the holder, under *direct* supervision, to assist holders of another certificate in working on any natural gas or propane appliance that falls within the scope of the supervising certificate holder's scope of work.
- A G3 certificate holder may also carry out the following functions under the *general* supervision of a G1, G2, or DA certificate holder:
  - install, test activate or purge gas piping or tubing with diameters of 2 1/2 inches or less;
  - install, test activate or purge components, in piping or tubing systems, located between the gas meter or propane service valve and the appliance;
  - reactivate a previously installed or converted appliance;
  - clean and lubricate an appliance; and
  - clean, remove or replace a vent connector, venting or a draft control device.
- It is important to note that the supervising certificate holder is responsible for the work of the G3.

For further information on Gas Technician 3 or other certification requirements, please refer to our Gas Technician Policies & Procedures for Certification and Regulation O.Reg. 215/01 under the Technical Standards & Safety Act posted on our Web site at [www.tssa.org](http://www.tssa.org). Training Provider listings can also be accessed through the Web site and in this publication. For program locations, fees and availability, please contact Training Providers directly.

## ACR Copper Tubing – Just Say “L”!

The types of copper tubing appropriate for natural gas or propane

service has changed. Clause 5.2.4 of the CSA-B149.1 allows types L, K and G tubing only to be used. The Code does not specify ACR tubing for use in natural gas or propane service. Many technicians would like to be able to use ACR tubing as an efficiency improvement for gaseous fuels in conjunction with their air conditioning installations.

TSSA is satisfied that ACR tubing meets the performance standards of type L copper tubing and is suitable for natural gas or propane service. We also recognize the potential cost savings and the reduction in confusion in the industry that result from using fewer types of tubing. Therefore, we will allow technicians to downgrade ACR tubing to type L tubing where they choose. If you have used ACR tubing for an installation and are questioned for Code compliance *Just Say “L”*.

TSSA proposes to bring this issue of moving to a single type of tubing to the next Gaseous Fuels Risk Reduction Group meeting to establish the merits of a transition plan for phasing out the use of all tubing types other than G. We would expect to reduce industry confusion and tubing costs. We welcome your comments or suggestions.

## Low Fire Start

Recently, questions have been raised on two issues relating to Section A.8.3 of CSA-B149.3-00: “A proven low-fire start shall be provided on an appliance having an input in excess of 1,000,000 Btuh, unless otherwise approved.” The questions are:

- What is a proven low fire start?, and what does “otherwise approved” mean?

The following provides guidelines for compliance with this Clause:

- Proven low fire start means an interlock to ensure the modulating control/valve is driven to low fire prior to ignition and that its position is proven with a low fire position sensor/limit on the valve. A typical control system will have either a primary combustion control with low fire start built into it or will have a low fire limit wired in series with all other limits. A low fire limit built into an approved primary combustion control (such as Honeywell RM7800E, G, L or M) is a common design. Wired properly, a low fire interlock will have to be satisfied before ignition. A low fire limit wired in series with all other limits will have a holding circuit controlled by a set of contacts which close when main burner valves are energized (see illustration below).

■ *Otherwise approved* means approved by the Authority Having Jurisdiction. In this instance, it is TSSA. For the purposes of the Field Approval Program, it is the engineer responsible for review and approval of the project. The engineer will look at each individual installation and may accept the equivalency where merit for the proven low fire start arrangement, as described above, is met.

For more information, please contact Zenon Fraczkowski at [zfraczkowski@tssa.org](mailto:zfraczkowski@tssa.org) or (416) 325-1681 (1-877-682-8772).

## Suspended Construction Heaters

Section 6.18.1 of CSA-B149.1-00 has been amended with a new requirement that allows construction heaters to be suspended in

accordance with the manufacturer's certified installation instructions. This amendment has been accepted by TSSA. Installers are advised to ensure that the heater is certified for such installation prior to installation. For a copy of the amendment, please visit our Web site.

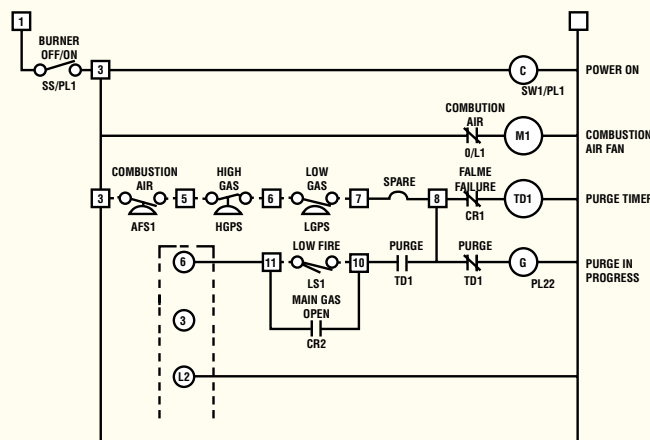
## Fuel Oil Filters

Section 8.1 of CSA-B139-00, “Installation Code for Oil Burning Equipment,” requires that all fuel-containing components have a minimum temperature rating of 538°C (1000°F). This requirement is applicable to fuel oil filters as decided by the CSA-B139 Technical Committee. TSSA is prepared to accept installations of certified oil filters with a temperature rating less than 538°C (1000°F) provided a certified fusible link shut-off valve immediately upstream of the filter protects the filter. The fusible link shut-off valve must be set to activate at a temperature of not more than 177°C (350°F) or the temperature rating of the filter, whichever is less. ■

## Increased Deposit Fees for Heating Fuels Applications

Clients applying for Field Approval, Variance, High Pressure System and Emergency Standby Power (ESP) will submit a deposit of \$420 (plus GST) with their application. The increase in the deposit is a business efficiency improvement designed to reduce operating costs by reducing accounts receivable. TSSA carries the cost of these approvals pending their completion. This change will reduce costs for all of our clients.

The vast majority of these works cost more than the deposit: the increased deposit should not be a problem for our clients. The increase in deposit will result in a reduction in carrying costs and the savings will be passed on to our clients.



# TSSA Working Tips

## Holes in the Furnace Compartment

TSSA has received a number of reports where contractors cut holes in the furnace compartment and then simply replace the cut out piece of metal with another. This is usually done to visually inspect a heat exchanger or to have easier access to a part. This activity voids the certification of the unit, and could reduce the clearance to combustibles as identified in the certified instructions. A fire hazard may result.

## Guidelines for Furnaces used for Construction Heat

The following TSSA guideline applies to central furnaces utilized as a temporary means to heat premises under construction. Installers utilizing this guideline will be subject to periodic inspections.

**1. The furnace installer and person initially putting the furnace into use shall be at least a G2 and shall follow the TSSA Advisory NG 00/1 (issued on February 1, 2000), Central Furnace Installations in Construction**

**Applications. The three main points of this advisory are:**

- Installation must meet the criteria specified in Section 6.13.5 of the B149.1-00; and
- Permission must be obtained from the manufacturer in writing to use the furnace for this purpose; and
- The furnace and associated ductwork must be cleaned as required prior to occupancy.

**2. All appropriate code clauses shall be met, paying particular attention to pressure testing of the piping system, venting and fresh air requirements.**

**3. All manufacturer's installation instructions shall be met, which will include but not necessarily be limited to:**

- Proper vent installation;
- Furnace operating under thermostatic control;
- Return air duct sealed to the furnace;
- Air filters in place;
- Fresh outdoor air supply provided to the furnace room;
- After initial activation return air temperature maintained at greater than 55° F (13° C);
- Clean furnace, duct work

and components upon substantial completion of construction process; and

- Verify proper furnace operating conditions including ignition, input rate, temperature rise and venting, according to the manufacturer's instructions.

**4. An "Affidavit of Validation" form shall be completed:**

- Stating all installation criteria per instructions on the form and this guideline are completed.
- Activation by a qualified person, if other than original installer, verifying on the same form that all required tests were completed.
- Completed form filed with TSSA.

**5. Distributor agrees to provide meter set configuration to the meter outlet.**

**6. A licensed G2 or higher shall connect the house piping to the outlet of the meter set up and activate the Central Furnace under the following conditions:**

- Directions in 1, 2, 3 and 4 above have been followed;
- Ensure the meter and

piping are protected from damage;

- At no time shall any meter outlet connections be left exposed to the environment nor shall anyone, other than the distributor, perform work on the distributor's piping, regulator or meter;
- Gas may be activated by means of the service riser valve;
- When turning on the gas supply, due care will be taken and the valve opened slowly so as to avoid damage to the meter and service assembly;
- Conduct a meter dial test to verify house piping integrity;
- Prior to occupancy the distributor must inspect all installed appliances; and
- Call the distributor as soon as all the permanent appliances are installed to schedule this inspection. (If this inspection has not taken place at the time the account is transferred from the Builder to the Owner, the gas supply will be discontinued until the inspection can be completed). ■

## TSSA "A Leader In Public Safety" Concludes Report

TSSA is a high quality organization that has made continuous progress in performance. That is one of several complimentary conclusions made recently by an independent consultant reviewing the operations of TSSA.

The report that was submitted to the Ministry of Consumer and Business Services, concludes that:

- The President and CEO has

a strong management team who have focused TSSA's efforts around continually improving public safety and the professionalism of the industries it regulates. Since delegation the number of incidents, serious injuries and fatalities have reduced in virtually all industry settings—which is impressive".

- "TSSA's business planning process and risk manage-

ment approaches are of a very high quality and play a central role in the operational improvements that have been made".

- "TSSA has developed significant expertise in the field of public safety and, quite rightly, is acknowledged as a leader in the field".
- "TSSA fully understands the importance of public education in accident prevention".

■ "We are very proud of this independent, third part evaluation of our services," says TSSA President and CEO Margaret Kelch. "This report recognizes the unique expertise of our staff and shows that we are delivering state of the art services that are improving public safety." ■

## Industry News

### Notice regarding the IMPCO Model J regulator (all variants)

IMPCO Technologies Inc. has issued a note to address concerns from the European marketplace regarding the safe use and application of their Model J regulator. This model is not being offered for sale to new applications in Germany.

#### Model J regular is not subject to recall

This type of regulator has been sold in Ontario, and may be used in the conversion of forklifts. IMPCO has indicated that the Model J regulator is not subject to any recall and that the company is cooperating with German authorities in a replacement program via their European affiliate IMPCO BERU Technologies GmbH.

Further, IMPCO has

informed that the Model J is, and continues to be a safe product when properly installed and correctly maintained, and no action are planned or required to address usage of

this model outside Germany.

Ontario forklift operators shall ensure that maintenance of this type of regulator is made as per the manufacturer's recommendations.

If additional information is required, please contact the manufacturer, IMPCO Technologies Inc., at (562) 860 6666 or your IMPCO component supplier. ■



### Update on Carbon Monoxide from Power Vented Water Heaters

In the last issue of Fuels Safety Communicates, we informed you of power vented water heaters being discovered with soot marks above the burner opening and high levels of carbon monoxide being emitted. Recently, two GSW water heater installations were discovered with this problem.

TSSA is working closely with GSW and CSA to determine the cause of these incidents. If you discover installations of this type, please call Raphael Sumabat at **(416) 325-1671 (1-877-682-8772)** or email him at [rsumabat@tssa.org](mailto:rsumabat@tssa.org).

## Lessons from others

### Why not use a Certified Technician?

Take these stories to your customers to let them know the value of using approved equipment and certified technicians.

#### CASE 1

An explosion occurred in a recreational vehicle leaving an adult male with burns to 30% of his body. The investigation revealed that the propane tank on the vehicle was incorrectly installed. This, coupled with the tank being overfilled by persons unknown, caused liquid propane to enter the vapour propane system of the recreational vehicle. The liquid propane expanded rapidly in the vehicle and exploded

when the ignition cycle of the vehicle's furnace commenced.

#### CASE 2

An adult male was found unconscious at a private residence due to a carbon monoxide exposure. It was found that he had disconnected the vents from a natural gas fireplace, furnace and water heater with a belief that the vent gases would aid plant growth in his new hydroponic garden.

#### CASE 3

An explosion/fire occurred at a restaurant leaving one person injured. The cause of the explosion was that the range

burner ports were clogged with debris. Gas accumulated and exploded.

#### CASE 3

A bakery owner and his wife were sent to hospital with minor injuries as a result of an explosion that knocked the window from the front of their building. The investigation found that the owner of the bakery had made repairs to his natural gas bake oven creating a hazard.

### Combustible Materials Again

A fire occurred at an industrial facility resulting in 2nd and 3rd degree burns to an adult male. The cause of the

fire was that a flammable vapor had found its way to a boiler and ignited.

### CO Poisoning

A man was found dead in his trailer. The investigation revealed that the hot plate inside the trailer created large quantities of carbon monoxide (CO), measured 330 ppm, after a short period of operation. Early in 2001, TSSA issued a province-wide safety advisory alerting campers, hunters, fishermen and cottagers regarding the CO hazards associated with the improper use/maintenance of fuel-burning appliances. ■

# Training Updates

## Oil Burner Technician Update Workshop 2002

Oil Burner Technicians (OBT) will be required to attend one of two, fuel oil specific, update workshops that address the *Technical Standards & Safety Act*, the *Fuel Oil Regulation* and the *Fuel Oil Code (B139-00)*.

You must successfully complete the required update workshop by December 31, 2003 if you wish to continue to hold a valid certificate and practice your trade in Ontario. After that

date, it would be illegal for you to work if you have not met this requirement.

The affected certificates are OBT1, OBT2 and OBT3.

■ OBTs certified prior to January 1, 2000, will be required to attend a two-day (16 hour) update workshop.

■ OBTs certified through a TSSA accredited training course after January 1,

2000 are required to attend a one-day (8 hour) update workshop.

Even if you are also a gas certificate holder and have attended the Gas Technician update, you are still required to attend the appropriate oil burning workshop. The one-day workshop will:

- Explain the new laws and your legal responsibilities
- Highlight important changes in the newly accepted CSA

B139-00 Code

- Address code issues and common errors
- Provide you with the opportunity to give input and address your common questions or concerns

The two-day workshop will address the above issues in greater detail and review important information such as venting, air supply and combustion testing.

You will receive a compre-

*Continued on page 7*

## TSSA Accredited Training Providers – Gas Technician Update Workshop

Training Provider	City	Telephone	Training Provider	City	Telephone
Algonquin College	Ottawa	613-727-4723 ext. 5414	Hydrocarbon Instruction & Support Services	Port Rowan	519-586-7205
Algonquin College	Pembroke	613-735-4700 ext. 2735	Hydrocarbon Training Services	Sutton	905-722-4187
Brydon Industrial Training	Toronto	416-675-9509	Innisfil Air Conditioning Ltd.	Barrie	705-739-9541
Cambrian College	Sudbury	705-524-7398	John Farrell & Associates	Utopia	705-424-7085
Canadian Standards Assn.	Toronto	416-747-4017	Kemptville College	Kemptville	613-258-8336
Canadore College	North Bay	705-474-7600	La Cite Collegiale	Ottawa	613-742-2493
Conestoga College	Guelph	519-824-9390	Lambton College	Sarnia	519-542-7751
Conestoga College (Kitchener Doon Campus)	Kitchener	519-748-5220 Ext. 3322	M.J. Lutman Corporation	London	519-434-8878
Confederation College	Thunder Bay	807-475-6189	Mohawk College	Stoney Creek	905-575-2522
Carens Consulting	Thunder Bay	807-628-0186	Natural Gas Code Instruction	Toronto	905-571-5652
Durham College	Whitby	905-721-3309	RS Consulting	Whitby	905-721-0905
Enertec Training & Consulting	Young's Point	705-652-0637	Salazar Industrial Training Services	Courtice	905-626-2658
Environmental Energy Cons.	Peterborough	705-740-9342	Sault College of Applied Arts and Technology	Sault Ste. Marie	705-759-2554 ext. 448
Eric Grigg and Assoc.	North Bay	705-472-3562	The Scott Safety Associates	Guelph	519-824-2547
Fanshawe College	London	519-452-4436	Sir Sanford	Peterborough	705-876-1615
Fuel Safety Network	Newmarket	905-642-8579	Fleming College		1-888-269-6929
George Brown College	Toronto	416-415-4861	St. Clair College	Windsor	519-972-2727
Georgian College	Owen Sound/ Barrie	705-728-1968	St. Lawrence College	Kingston	613-544-5532
Heating, Refrigeration & Air Conditioning Institute (HRAI)	Mississauga	1-800-267-2231	Staubz Tech.	Chatham	519-380-9473
HiMark Occupational Skills Training	Toronto	416-781-8000	Sure Look Home Inspections	North Bay	705-474-6880
Hogan Roy and Associates	Brampton	905-840-1533	Thomson Heating & Air Condition	Caledonia	905-765-5342
Humber College	Toronto	416-675-5005	TS Technical Training & Resource	Kitchener	519-699-4681
HVAC Training Solutions	Forest	519-786-5050	Wayne Vizniowski	Arva	519-660-0451

hensive workbook highlighting and explaining all the changes and other material covered at the workshop.

The workshops will be available through community colleges, unions, private trainers and associations.

All instructors will be attending train the trainer ses-

sions in February and March in order to qualify to deliver the program. **Programs will become available starting April 1, 2002.**

Please visit our Web site, [www.tssa.org](http://www.tssa.org), after March 15, 2002 for a current listing of training providers, accredited to deliver this workshop. ■

## Surf's up at revamped TSSA Web site

*Have you surfed TSSA's Web site lately?*

Better client service was the driving force behind the recent re-vamp of our Web site: [www.tssa.org](http://www.tssa.org). With its launch in mid-October 2001, visitors can expect to experience easier navigation, more information, friendlier language and a cleaner design.

But any Web site worth its salt never stands still; it grows and changes to meet the needs of its users. That's why our aim is to continuously ensure that fresh and relevant content addressing the information needs of visitors is always available. And, thanks to feedback already received from site users, improvements to fine-tune current content, or develop new features is already underway.

What does the future hold for online communications at TSSA?



In addition to regular information updates, we plan to expand or offer new features including an enhanced e-mail Update service. All this with the goal of improving our client service delivery, by making it easier to access our services and stay safety informed.

So, if you haven't already, check out the improvements at [www.tssa.org](http://www.tssa.org). Feel free to let us know what you think or make suggestions for improvements by filling out an anonymous Web site feedback survey. ■

## Important reminder – Gas Technician Update Workshop

Gas Technicians are reminded that they must take this workshop. (Please disregard this notice if you have already taken the workshop).

The intent of the workshop is to ensure the highest level of safety to the Ontario public and its workers. During the workshop you will learn about:

- The new Ontario laws and your legal responsibilities
- Important changes in the newly accepted CSA B149-00 Code
- Code issues and common errors

Knowledge and understanding of the above is essential if you are to ensure the safety of your customers and avoid liability.

- Gas Technician 1 (G.1)
- Gas Technician 2 (G.2)
- Gas Technician 3 (G.3)
- Gas Pipe Fitters (GP)
- Liquid Propane Fitter (LP)

- Domestic Appliance Certificate (DA)
- Industrial Maintenance Technician (IMT)

If you hold one of these certificates, it would be illegal for you to work after December 31, 2003 if you have not met this requirement.

Certificate holders of ICE, ICE-IV, and RV do not have to take this workshop. The workshop is being offered across Ontario by accredited instructors (see list on page 6). Please contact them directly for workshop schedules and fees.

A web-based version is currently being developed. It will provide the workshop to those individuals that live out of province, are in remote areas, or are unable to attend an instructor led session. It will be available later this year.

Check the TSSA Web site [www.tssa.org](http://www.tssa.org) for the latest training provider listings. ■

## Want to know fuels safety news first?

**FREE:** Sign-up for TSSA email updates and receive the latest safety news and information for the fuels industry delivered to you first. Get the information you need sooner. Visit [www.tssa.org](http://www.tssa.org), and click on "Subscribe".

## Your Help Vital to Tracking Ontario's "State of Safety"

TSSA is investing in new technology to better track incidents in the Fuel industry and other areas TSSA regulates – but we need your help. Recording incidents is vital to measuring the "state of safety" in Ontario and TSSA relies on a wide variety of groups to report incidents.

Incidents include any injuries or failure of safety related equip-

ment. If in doubt that the circumstance that you face constitutes an incident, contact our Fuels Safety Co-ordinator Richard Lebel with incident reports and/or questions.

Richard can be reached directly at: Tel: **(416) 325-2081** email: [rlebel@tssa.org](mailto:rlebel@tssa.org). If calling outside the Greater Toronto area, please call toll-free at **1-877-682-8772**. ■

# TSSA Targets Unregistered Contractors in Ontario

TSSA's Fuels Safety Program has implemented a targeted inspection program that is cracking down on unregistered fuel contractors conducting propane, natural gas and fuel oil installation and service work in Ontario.

The impact on public safety and the livelihood of Ontario-registered fuel contractors is a major concern for TSSA. For example:

- Contractors that choose not to register with TSSA and comply with safety laws, and possibly employ uncertified Gas or Oil Technicians, are not paying

their fair share of maintaining and enhancing public safety in Ontario.

- The lack of registration does not allow TSSA's Fuels Safety Program to perform regular compliance audits as are conducted on registered contractors.

TSSA's concern with unregistered contractors was reinforced by a recent survey of our client groups, in which 77% of our Fuel Industry respondents identified the same issue as their primary concern.

To address this issue, TSSA's Fuels Safety program developed an inspection program in

which 2,500 heating, ventilation and air-conditioning contractors across Ontario that advertised in the Yellow Pages™ were compared with the registrations contained in the TSSA database. 2,500 contractors were compared to the registrations recorded in our system. Of these, 425 contractors did not appear to be registered with TSSA.

The next step in the program was to assign the 425 allegedly unregistered contractors to the appropriate TSSA Fuels Safety inspector. Each Inspector was responsible for verifying that the contractor

was in fact registered and performing a Compliance Audit if one had not been performed in the last 36 months.

To date, the program has uncovered 49 unregistered contractors actively working in Ontario. Each of the unregistered contractors was issued a Cease & Desist Order, which remained in effect until compliance was demonstrated.

We encourage anyone who knows of an unregistered contractor to report them to TSSA. All information received is strictly confidential. ■

## TSSA Contacts

### Main Switchboard

Telephone: **(416) 325-2000**

Toll Free: **1-877-682-TSSA (8772)**

Fax: **(416) 326-1662**

### For Engineering & Client Services

#### Theresa Coombes

Engineering Administrative Assistant

Telephone: **(416) 325-1615** email: [tcoombes@tssa.org](mailto:tcoombes@tssa.org)

#### Richard Lebel

Coordinator, Fuels Safety Program

Telephone: **(416) 325-2081** email: [rlebel@tssa.org](mailto:rlebel@tssa.org)

#### John Wastle

Manager, Engineering & Client Services (*\*Director under the Act*)

Telephone: **(416) 325-9608** email: [jwastle@tssa.org](mailto:jwastle@tssa.org)

### For Inspection Services

#### Myrtle daFonseca

Inspection Administrative Assistant

Telephone: **(416) 325-0289** email: [mdafonseca@tssa.org](mailto:mdafonseca@tssa.org)

#### Ken Langer

Regional Manager, South/West Region

Telephone: **(416) 325-9623** email: [klanger@tssa.org](mailto:klanger@tssa.org)

#### Mike Scarland

Regional Manager North/East Region

Telephone: **(416) 325-5476** email: [mscarland@tssa.org](mailto:mscarland@tssa.org)

## Licensing, Registration and Certification

For inquiries about how to apply for a license, registration, certificate or examination or their status, contact:

### Certification Services

#### Sebastian Sebastiampillai

Licensing, Registration and Certification Agent

Telephone: **(416) 325-2797** Fax: **(416) 326-1663**

Email: [Gsebastiampialli@tssa.org](mailto:Gsebastiampialli@tssa.org)

### Licensing and Registration

#### Maria Johnson

Licensing, Registration and Certification Agent

Telephone: **(416) 325-2924** Fax: **(416) 326-1663**

Email: [mjohnson@tssa.org](mailto:mjohnson@tssa.org)

### Team Leader

#### Carmen Alvarez

Telephone: **416-325-2594** Email: [calvarez@tssa.org](mailto:calvarez@tssa.org)

For inquiries about qualifications to obtain certification, contact:

### Certification Standards

Telephone: **(416) 325-9230** Fax: **(416) 325-2774**

Email: [certificationstandards@tssa.org](mailto:certificationstandards@tssa.org)

### Consultant

#### Penny Connors

Telephone: **(416) 325-5475** Fax: **(416) 325-2774**

Email: [pconnors@tssa.org](mailto:pconnors@tssa.org)



## TSSA UPDATE Heating Fuels Edition Fuels Safety Program

3300 Bloor Street West, 4th Floor, West Tower, Toronto, Ontario, M8X 2X4  
Tel: (416) 325-1674 Fax: (416) 326-1662 E-mail: [sko@tssa.org](mailto:sko@tssa.org)