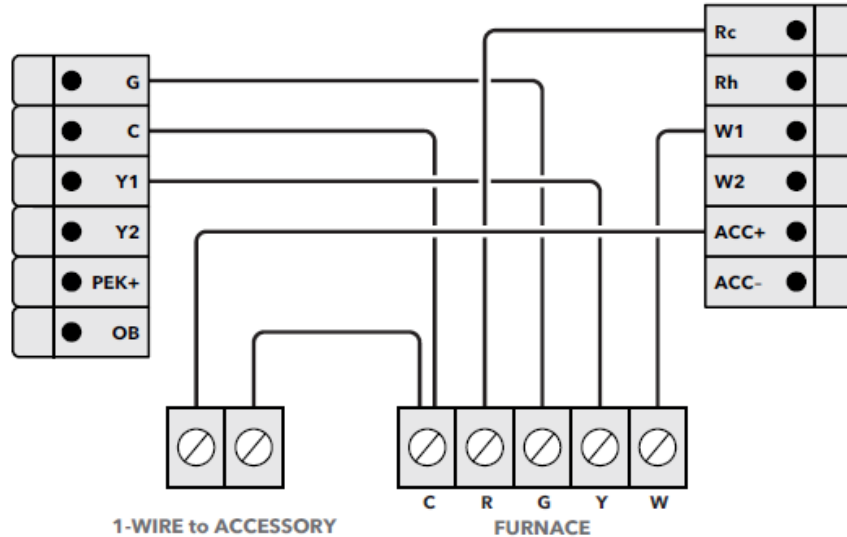


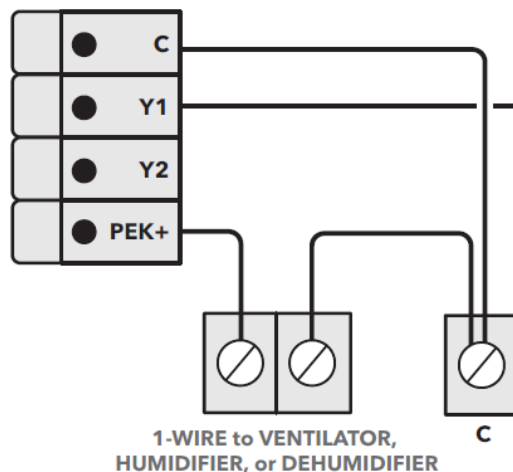
Smart Thermostat Premium – Dual Accessory Guide

Wiring Guide:

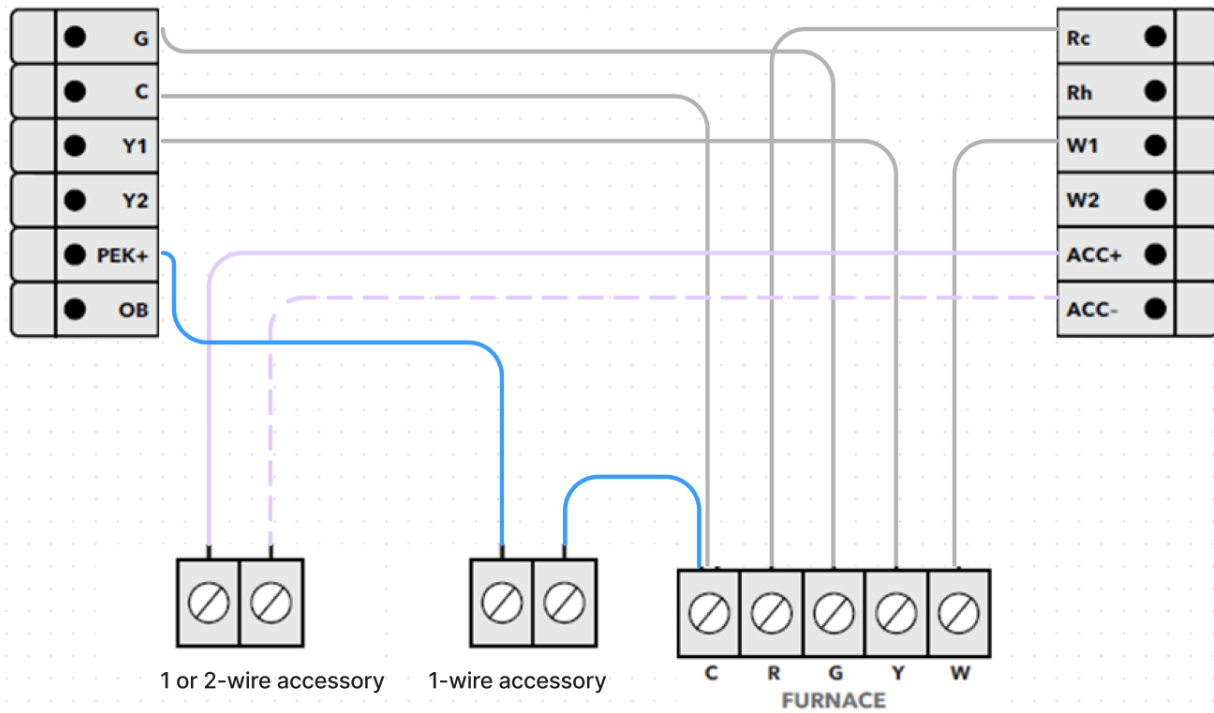
- 2-wire accessories:** dedicated terminals for both 1- and 2-wire accessory control. Self-powered 24V accessories can be controlled using the ACC+ and ACC- terminals. If you only have a 1-wire accessory, it must be placed in the ACC+ terminal.



- 1-wire accessories:**
 - Self-powered accessories require an additional 24VAC relay controlled by the PEK+ terminal.
 - The PEK+ terminal can be used with either the PEK or a 1-wire accessory, but not both.



Two-Accessory Wiring



ACCESSORY SETTINGS

☰ Menu > Settings > Installation Settings > Equipment

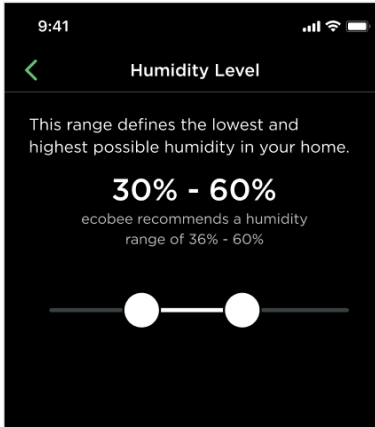
SETTING NAME	DESCRIPTION	DEFAULT
Humidifier		
Evaporative or Steam	An 'Evaporative' humidifier will operate with a heating cycle where an 'Steam' humidifier can operate with/without a heating cycle.	User defined
Min Runtime Delta	The humidifier will run beyond the desired humidity setpoint by the selected amount	5%
Window Efficiency	The Frost Control setting uses the efficiency rating to determine the desired humidity within the range of 15 to 50%.	2
Dehumidifier		
Dehumidify with Fan	When enabled, this will activate the furnace/air-handler fan during a call for Dehumidification.	Yes
Min Runtime Delta	The dehumidifier will run beyond the desired humidity setpoint by the selected amount	5%
Dehumidify in Heat Mode	Will permit the Dehumidifier to operate independent of a heating cycle.	No
Dehumidifier Active	This setting is dependent whether the HVAC system or Dehumidifier requires it to be open or closed while active.	User defined
Ventilator		
Pre-Occupancy Purge	Enable to run ventilator for 1 hour prior to expected occupancy	Disabled
Free Cooling Max Outdoor Temperature	Free Cooling will not run when the outdoor temperature is above this point	72F
Free Cooling Max Outdoor Humidity	Maximum Outdoor Humidity to permit Free Cooling to run	Disabled
Indoor/Outdoor Temperature Delta	Permit Free Cooling if Indoor Temp vs. Outdoor Temp is greater than Temperature Delta	2F
Max Desired Temperature Delta	Maximum delta between current and desired temperature to engage Free Cooling	Disabled
Pre-Occupancy Purge	Enable to run ventilator for 1 hour prior to expected occupancy	Disabled

For the combinations listed below, all the accessory settings above remain the same:

- Humidifier and Ventilator
- Dehumidifier and Ventilator

For Humidifier and Dehumidifier, changes to settings include:

- Min Runtime Delta: for Humidifier and Dehumidifier installations, Min Runtime Delta will be locked to 5% for both Humidifier and Dehumidifier.
- Humidity range will be configurable on the mobile app:



- To not allow Humidifier and Dehumidifier to work against each other, there will be a 10% minimum delta between the minimum and maximum humidity levels.
 - E.g., lower bound = 50% and upper bound = 60%. Since the Min Runtime Delta will be locked to 5%, a humidifier for example will run to 55% and then stop.

Installation and Setup:

Steps to setup dual accessories:

1. After wiring and upon first power-up, select "I am an ecobee Pro".
2. Continue until you get past the wiring confirmation, confirm your HVAC wiring details.
3. At the "Did you use the PEK", click "No, I did not" (as you can't install a PEK and have 2 accessories where one of them utilize the PEK+ terminal).
4. At the "Do you have an accessory installed" screen, select "I have 2 accessories".
5. Select your first accessory.
6. Confirm which terminal your first accessory is plugged into, either a 1-wire accessory in the PEK+ terminal or 1/2-wire accessory in the ACC+/- terminals.
7. Now select your second accessory. Note that we do not allow the installation of two of the same accessories. E.g. cannot install two humidifiers. Once you select your first accessory, it will be removed from the list when configuring the second accessory.
8. Depending on which terminal you have selected in step 6, if you clicked "1 Wire (PEK+)" then it would prompt you to confirm wiring of the second accessory in the ACC+/- terminals.

- a. If you selected “1 Wire (ACC+)” or “2 Wires (ACC+ and ACC-)” first then when selecting your second accessory, it will automatically default to the PEK+ terminal.
9. Configure your accessory settings on the remaining screens.

Steps to setup one accessory:

1. After wiring and upon first power-up, select “I am an ecobee Pro”.
2. Continue until you get past the wiring confirmation, confirm your HVAC wiring details.

If a PEK is installed:

- At the “Did you use the PEK” screen, click “Yes, I used the PEK”.
 - a. If a PEK is installed, then you can only install a single 1 or 2-wire accessory in the standard ACC+/- terminals.
- At the “Do you have an accessory installed” screen, select your accessory.
- Confirm which terminal your first accessory is plugged into, a 1 or 2-wire accessory in the ACC+/- terminals.
- Configure the accessory settings on the remaining screens.

If a PEK is NOT installed:

- At the “Did you use the PEK” screen, click “No, I did not”.
- On the “Do you have an accessory installed” screen, select “I have 1 accessory”.
- Select your accessory installed on the “What accessory do you have installed?”
- Confirm which terminal the accessory is installed into. Either the “1 Wire (PEK+)” or “1 Wire (ACC+)” or “2 Wires (ACC+ and ACC-)”